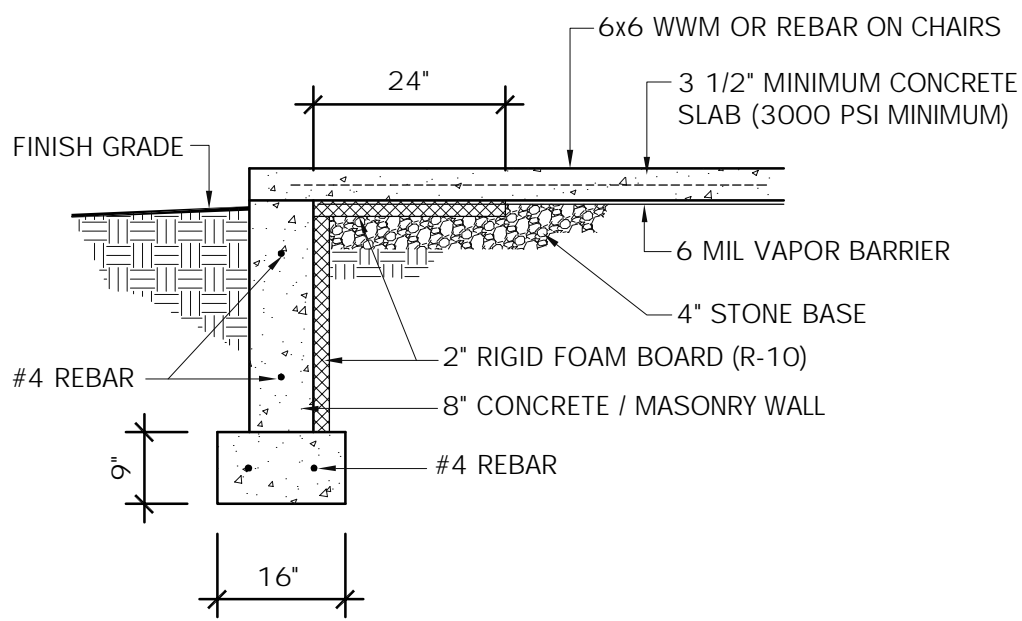


MONOLITHIC SLAB



FOOTER & FOUNDATION